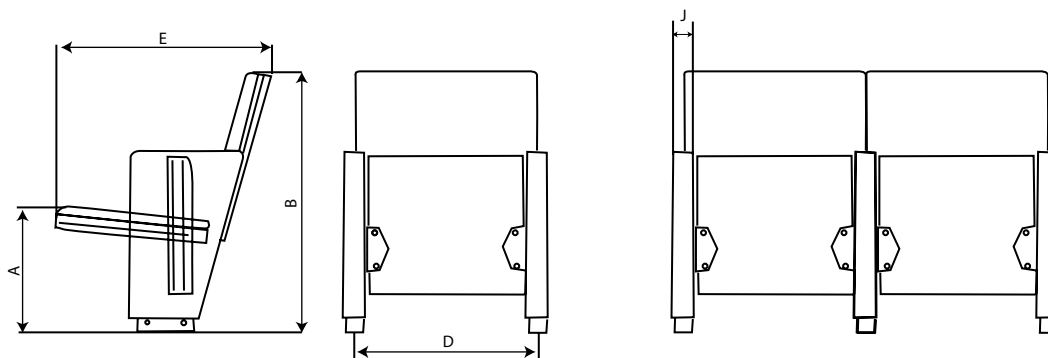


TECHNICAL FEATURES and FUNCTIONS

1. DIMENSIONS



Pablo

Dimensions (cm)	Axis width D	Total depth E	Total height B	Seat height A	Armrest width J	Weight (kg)
Pablo	58 - 60	50 - 66	98	50	7,6	36



2. MATERIALS

2.1. Construction

Seat and backrest carrier metals are bolted separately on both legs.

2.2. Backrest

It is produced from injection polyurethane in a form suitable for back ergonomics. The back board made of beech wood is combined with cold foam and completely fabric is laid.

2.3. Seat

It is produced from injection polyurethane in a form suitable for ergonomics. The seat board made of beech wood is combined with cold foam and completely fabric is upholstered. The seat can be folded.

2.4. Metal Parts

Metal parts are electrostatic powder paint black (RAL 9005).

2.5. Foaming Parts

It is injection polyurethane and does not contain CFCs (chlorofluorocarbons).

Density: 57 kg/m³ +/- 3
Seat foam thickness: 52 mm
Backrest foam thickness: 47 mm

3. OPTIONS

3.1. Armrest Types

Standard Armrest: Metal profile carcass is covered with MDF and covered with fabric.

Writing Tablet Armrest: An antipanic writing tablet or a secret writing tablet is mounted on the metal profile carcass with MDF coating and fabric upholstery on the armrest. The writing tablet can be made in the form of painting on MDF, lacquer painting or beech contra.

Optionally, wood can be applied on the armrest. It can be made of wood, painted or coated.

3.2. Fabric

In addition to the available fabric options, there are non-flammable fabric types for safety.

3.3. Other Options

- Different armrest options for optional different axis distances

- Optional wood veneer on armrest
- Optional contra wood back kick and outer front contra wood seat pad
- Seat row numbers and corridor lighting fixture
- Different axis distances applicable according to the projects

3.4. Embroidery (Optional)

The maximum dimensions for the logo can be made at 7 cm width, and the width-length is measured in direct proportion. 100% polyester thread is used for embroidery. It can be applied to the desired area on the front or back, depending on the backrest model. A separate embroidery work is done for each logo. The yarn color closest to the logo color is selected. There is no restriction on the number of colors.

4. TECHNICAL RULES, TESTS AND QUALITY APPROVALS

- ISO 9001 certified.
- It is TS EN 12727 certified.