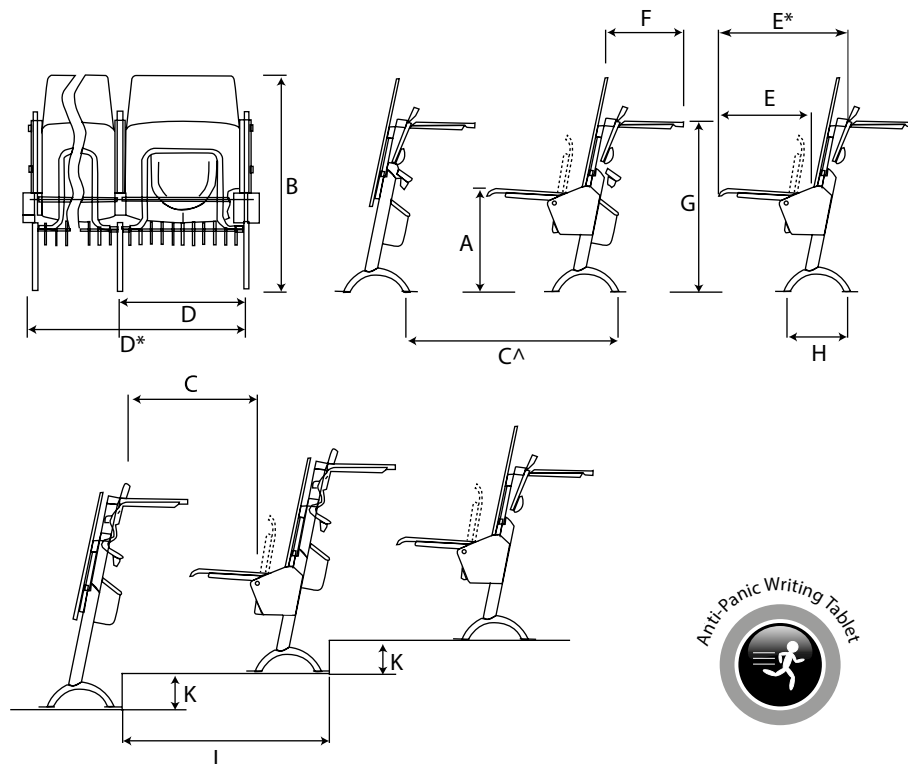


TECHNICAL FEATURES and FUNCTIONS

1. DIMENSIONS



Dimensions (cm)	Total width D	Row width D*	Total depth E / E*	Total height B	Seat height A	Between rows width C	Between the base width C^
Vision	54,5	54,5 x n + 6,5	43 / 59	96	46	55	90

Dimensions (cm)	Tablet height G	Tablet width J	Tablet depth F	Row of base width H	Step height K	Step width I	Weight (kg)
Vision	76,5	44	37	36	15	min.83	18,5

2. MATERIALS

2.1. Backrest

It is produced from contra wood formed by pressing from beech bucks and is ergonomically shaped.

2.2. Seat

It is made of contra wood, which is pressed from beech bucks, and the seat is ergonomically shaped. Its carrying capacity is max.150 kg.

2.3. Writing Tablet

Manufactured from pressed beech plywood and mounted on the front panel. With the Anti-Panic feature, it can be closed with a single move by lifting it upwards.

2.4. Seat Mechanism

The seat has a folding mechanism.

2.5. Units / Main Parts

The seat consists of 3 units, namely the front panel, the middle row and the back row. It can be applied to flat or stepped halls. In the halls with steps, installation can be applied with a maximum step height of 30 cm, technical approval should be requested for the halls with higher steps.

2.6. Metal Parts

It is coated with gray RAL 9006 powder paint.

2.7. Wood Colors

There are 5 color options as standard as wenge, mahogany, walnut, cherry and natural. 2 layers of varnished beech wood is used. Optionally, it can be painted in different colors.

3. OPTIONS

3.1. Wire Basket

There is a chrome-plated wire basket with pipe and shaft construction, which can be mounted under the rows.

3.2. Upholstery

In terms of safety, non-flammable fabric types are available.

Vision 10: Without upholstery

Vision 20: Upholstered seat

Vision 30: Seat and backrest surface upholstered

Vision 40: Seat and backrest fully upholstered

4. TECHNICAL RULES, TESTS AND QUALITY APPROVALS

- ISO 9001 certified.

- Produced in accordance with TS 13869 standards.