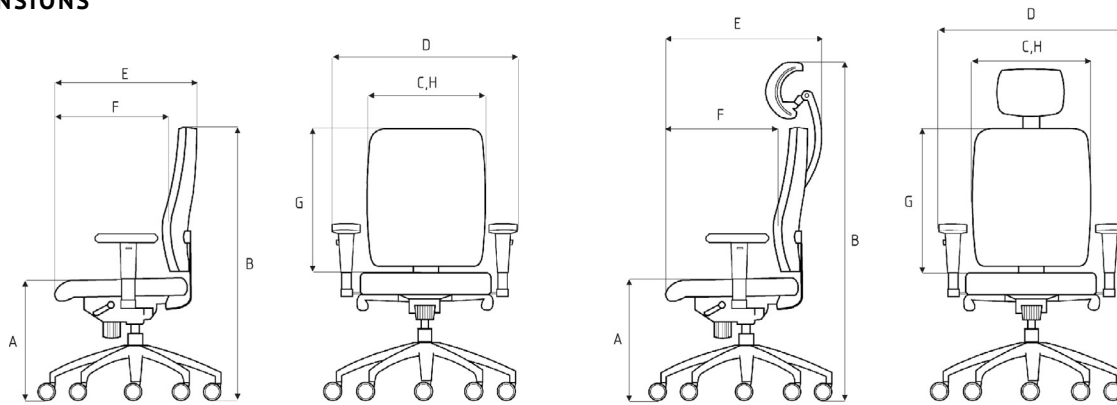


TECHNICAL FEATURES and FUNCTIONS

1. DIMENSIONS



Uno 16/18/20 MFA

Uno 30/40 MFA

Dimensions (cm)	Overall width D	Total depth E	Total height B^	Seat height A*	Seat width C	Seat depth F#	Backrest height G	Backrest width H	Weight (kg)
Uno 16/18 MFA	63,5	62 - 77	108	42 - 52,5	48	44	59	44	13,3
Uno 20 MFA	63,5	56 - 87	100	42 - 52,5	48	44	59	44	16
Uno 30/40 MFA	63,5	61 - 97	138	42 - 52,5	48	44	59	44	17

^ In the lowest position, * According to DIN norms with load and without upholstery, # According to DIN norms, up to the lumbar support

2. MATERIALS AND OPTIONS

2.1. Mechanism

Uno 16: Steel body black (RAL 9005) tilt mechanism. 1:1 oscillation movement on backrest and seat, possibility to lock the mechanism in 1 position, infinitely adjustable seat height.

Uno 18, 30: Permanent contact mechanism with steel body black (RAL 9005). Free-swinging backrest, possibility to lock the mechanism in 4 positions, anti-shock feature that prevents the backrest from hitting the user's back when the lock is opened, infinitely adjustable seat height.

Uno 20, 40: Black (RAL 9005) synchronous mechanism with aluminum body. 2:1 synchronized oscillation movement on the backrest and seat, the possibility of locking the mechanism in 5 positions, the anti-shock feature that prevents the backrest from hitting the user's back when the lock is unlocked, the infinitely adjustable seat height.

2.2. Bases

- Black colored (five) star base made of reinforced polyamide.

- Polished, aluminum injection molded (five) star base.

- Star base (five) made of aluminum injection, colored with electrostatic black powder paint (RAL 9005).

2.3. Castors

Double-link, weight sensitive braking system and options for hard or soft floor in accordance with DIN EN 12529.

- For hard floor: TPU (thermoplastic polyurethane) coated polypropylene Ø65 mm castor

- For soft floor: Polypropylene Ø65 mm castor.

2.4. Foaming Parts

- It is injection polyurethane and does not contain CFC (chlorofluorocarbon).

Density: 58 kg/m³ +/- 3
Seat foam thickness: 50 mm
Backrest foam thickness : 48 mm

2.5. Backrest

Black, Grey, Chrome backrest metal color is optional.

2.6. Lumbar Support Adjustment

Height-adjustable lumbar support is standard.

2.7. Headrest

The Uno 30, 40 model has a headrest as standard. Its height and angle are adjustable.

2.8. Individual Weight Adjustment

Uno 16, 18, 20, 30, 40: It is adjusted with the cylindrical regulator located in the lower middle part of the seat. Backrest swing stiffness can be adjusted according to the weight of the user. When you turn the regulator clockwise a few turns, the backrest oscillation gets harder, when you turn it counterclockwise, it softens.

2.9. Seat Depth Adjustment (Optional)

Uno 18, 20, 30, 40: With the seat depth adjustment, the seat depth can be adjusted by +50 mm.

2.10. Embroidery (Optional)

Maximum dimensions for the logo can be made at 7 cm width, and the width-length is measured in direct proportion. 100% polyester thread is used for embroidery. It can be applied to the desired area on the front or back, depending on the backrest model. The minimum order quantity for logo applications is 50 pieces. A separate embroidery work is done for each logo. The yarn color closest to the logo color is selected. There is no restriction on the number of colors.

3. ARMRESTS

MFA Armrest: Multifunctional chrome plated metal armrest. Armrest pads are black polyurethane. It can be rotated in 7.5 cm height adjustment range and in 3 positions (+35°/-35°). It can be installed later by a technical personnel.

4. TECHNICAL RULES, TESTS AND QUALITY APPROVALS

- Working chairs comply with TS EN 16139:2013.
- Waiting chairs comply with TS EN 1335-1 and TS EN 1335-2 suitable.
- ISO 9001 certified.