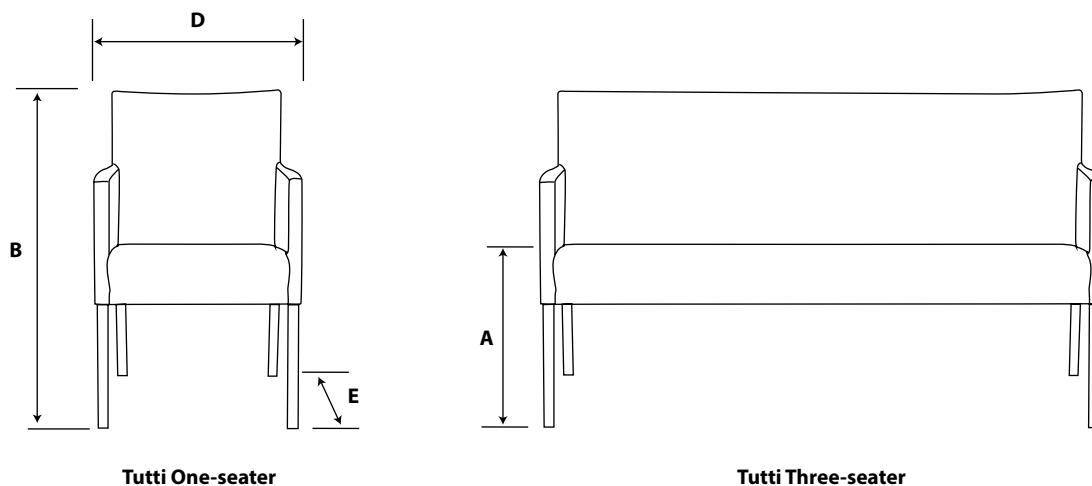


TECHNICAL FEATURES and FUNCTIONS

1. DIMENSIONS



Dimensions (cm)	Overall width D	Total depth E	Total height B	Seat height A
Tutti One-seater	56	55	81	46
Tutti Two-seater	110	55	81	46
Tutti Three-seater	160	55	81	46
Tutti HB One-seater	91	55	81	46

2. MATERIALS AND OPTIONS

2.1. Construction

A fully upholstered and armrested waiting chair with high seating comfort. High-backed single, single, double, triple versions are available.

It has metal, painted or chrome plated legs.

A special elastic structure is used for enhanced comfort in the seat.

3. TECHNICAL RULES, TESTS AND QUALITY APPROVALS

- Conforms to TS EN 12520.

- ISO 9001 certified.