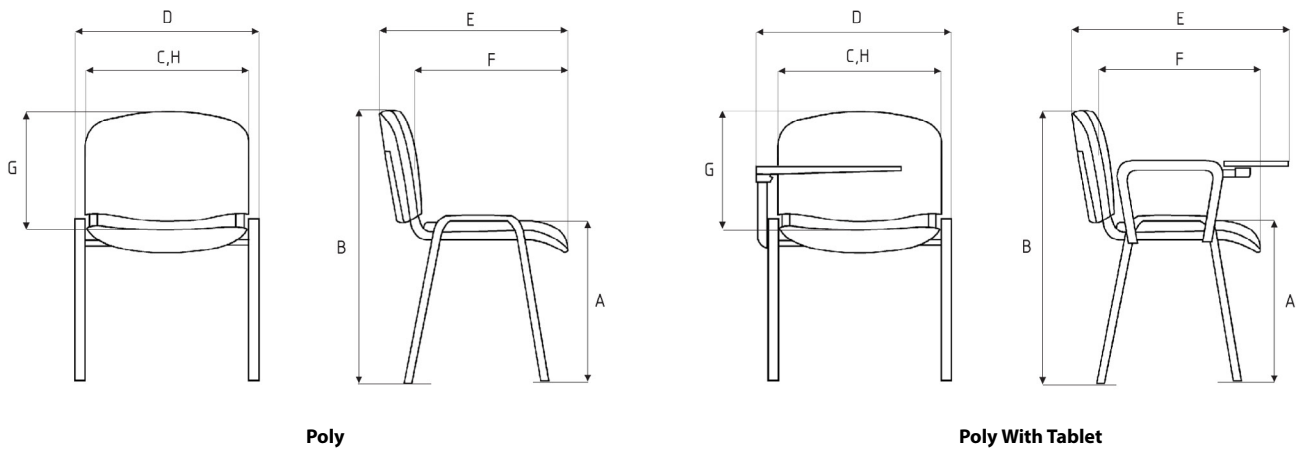


TECHNICAL FEATURES and FUNCTIONS

1. DIMENSIONS



Dimensions (cm)	Overall width D	Total depth E	Total height B [^]	Seat height A*	Seat width C	Seat depth F#	Backrest height G	Backrest width H	Weight (kg)
Poly	54	56,5	82	45	46	40	42	47	5
Poly P - Plastic	54	56,5	82	45	46	40	42	47	4
Poly W - Wood	54	56,5	82	45	46	40	42	47	5
Poly With Tablet	58	59	82	45	46	40	42	47	9
Poly Net Mesh	54	56,5	82	45	46	40	42	47	4

[^] In the lowest position, * According to DIN norms with load and without upholstery, # According to DIN norms, up to the lumbar support

2. MATERIALS AND OPTIONS

2.1. Base Frame

Oval shaped 30x15x1,5 metal tube foot and 30x15x1,5 metal tube backrest and seat holder.

Available in chrome, black (RAL 9005) and silver metallic powder paint colors.

2.2. Backrest

Upholstered model: 2 points mounted with screws. Approximately 7 mm thick beech plywood backing board is laid with foam and fabric and the back is closed with a black polypropylene cover.

Poly P plastic model: The backrest consists of one piece of plastic and is not upholstered. Available in white and black polypropylene color variants.

Poly W wooden model: The backrest consists of beech wood and one piece, no upholstery. It is in natural beech color as standard. It can be painted in the desired color by notifying the RAL code.

Mesh model: The backing is produced as a mesh.

2.3. Seat

Upholstered and Mesh model: It is mounted with screws from 2 points. Approximately 7 mm thick

beech plywood seat board is upholstered with foam and fabric, and the back is covered with a black polypropylene cover.

Poly P plastic model: The seat consists of one plastic piece and is not upholstered. Available in white and black polypropylene color variants.

Poly W wooden model: The seat consists of beech wood and one piece, no upholstery. It is in natural beech color as standard. It can be painted in the desired color by notifying the RAL code.

2.4. Stacking

Wooden model can be stacked up to 8 pieces, other models up to 10 pieces.

2.5. Foaming Parts

It is cast polyurethane and does not contain CFCs (chlorofluorocarbons).

Seat foam thickness: 50 mm
Backrest foam thickness: 46 mm

2.6. Embroidery (Optional)

Maximum dimensions for the logo can be made at 7 cm width, and the width-length is measured in direct proportion. 100% polyester thread is used for embroidery. It can be applied to the desired area on the front or back, depending on

the backrest model. The minimum order quantity for logo applications is 50 pieces.

3. ARMRESTS

There is a black (RAL 9005) polypropylene armrest option, which is mounted from the top of the front and rear legs.

4. OPTIONS

- Beech wood or plastic writing tablet.

- Interlink connection piece used to connect the seats and form a regular row.

- Metal lower basket in chrome, black (RAL 9005) or silver metallic powder coat colours.

5. TECHNICAL RULES, TESTS AND QUALITY APPROVALS

- Conforms to TS EN 1335-1 and TS EN 1335-2.

- ISO 9001 certified.