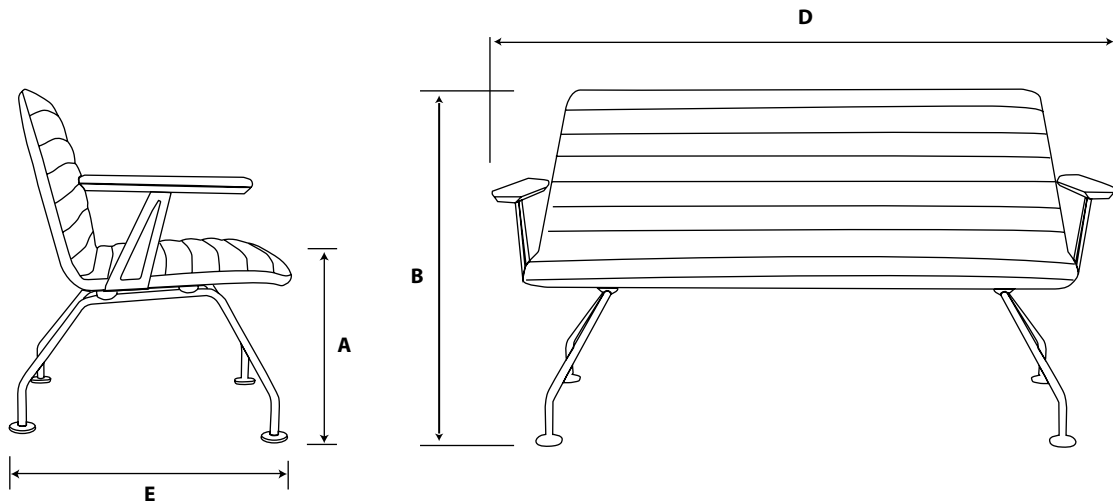


TECHNICAL FEATURES and FUNCTIONS

1. DIMENSIONS



Mood A Two-seater

Dimensions (cm)	Overall width D	Total depth E	Total height B	Seat height A
Mood One-seater	70	65	79	42
Mood A One-seater	73	65	79	42
Mood Two-seater	126	65	79	42
Mood A Two-seater	129	65	79	42

2. MATERIALS AND OPTIONS

2.1. Construction

**Mood One-seater;** It is manufactured as an upholstered seat and backrest, without armrests, with special sports stitching.

**Mood A One-seater;** It is manufactured as fixed armrest, special sports stitching, upholstered seat and backrest. The upper armrest is upholstered and the armrest is made of enameled wood.

**Mood Two-seater;** Two-seater sofa is manufactured as an upholstered seat and backrest, without armrests, with special sports stitching.

**Mood A Two-seater;** Two-seater sofa, it is manufactured as fixed armrest, special sports stitching, upholstered seat and backrest. The upper armrest is upholstered and the armrest is made of black enameled wood.

3. TECHNICAL RULES, TESTS AND QUALITY APPROVALS

- Conforms to TS EN 12520.

- ISO 9001 certified.